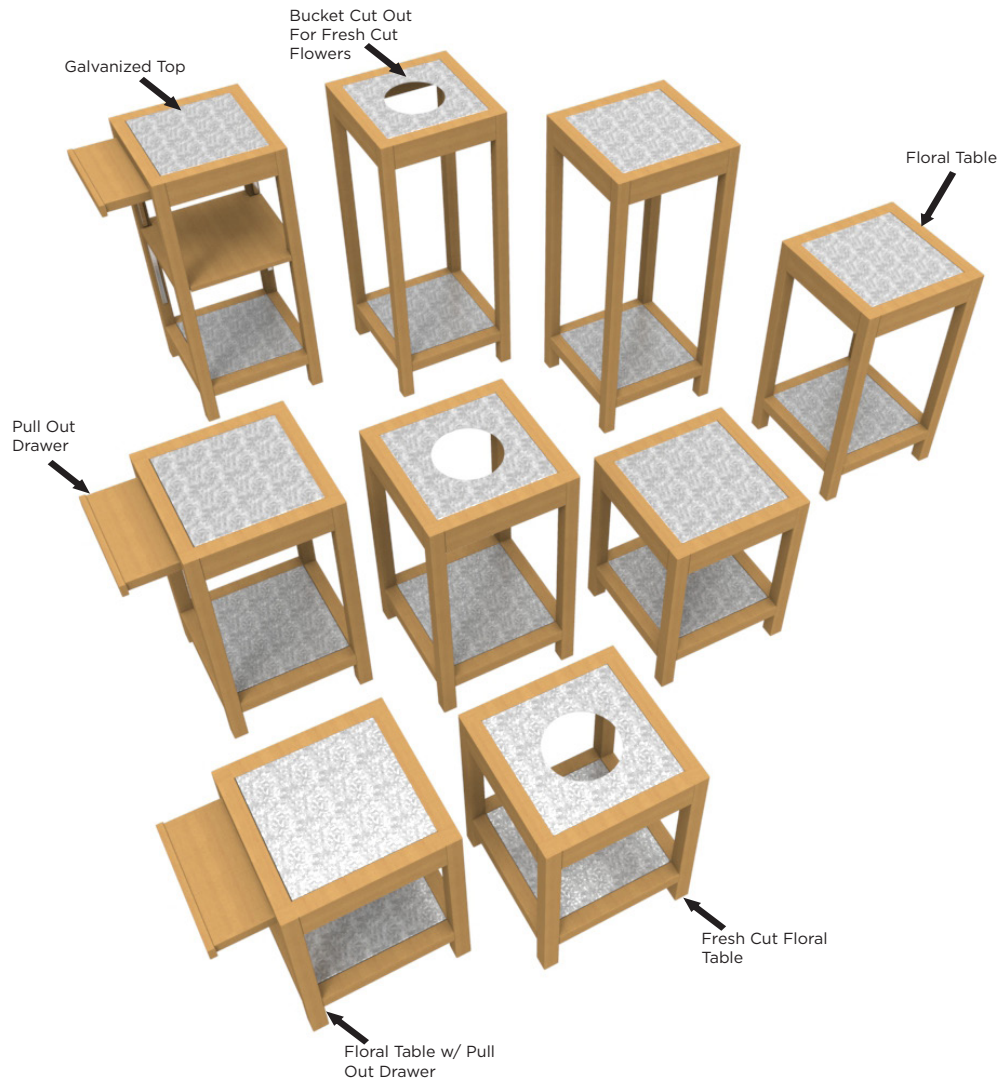


FSY SERIES



Applications

- The SY Series of tables are designed to be easily installed into any configuration setup
- Both upper and lower table tops are made of galvanized steel
- Tack glides
- Fresh cut tables allow merchandising of both fresh and potted flowers due to the unique design that allows the table to be converted from solid top to top with bucket cut out (galvanized top when not in use easily stores onto of lower shelf)

FSY SERIES FLORAL TABLE w/ PULL OUT DRAWER



MODEL	DESCRIPTION	LENGTH	LENGTH	HEIGHT
TBFL-001-01B	Floral Table w/ Pull Out Drawer - Short	18"	18"	24 ¼"
TBFL-002-01B	Floral Table w/ Pull Out Drawer - Medium	18"	18"	32 ¼"
TBFL-003-01B	Floral Table w/ Pull Out Drawer - Tall	18"	18"	40 ¼"

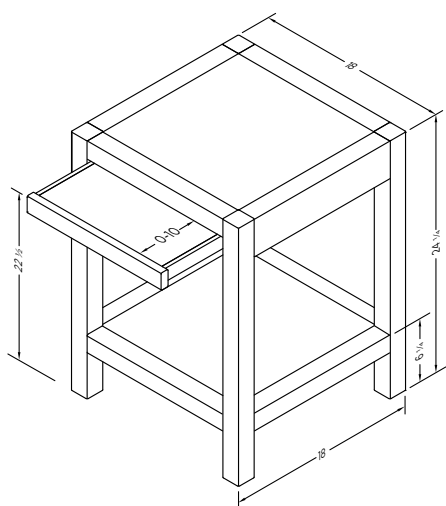
FEATURES:

- Birch/maple plywood & solid maple construct with galvanized pan inserts
- Tack glides
- Pull out drawer

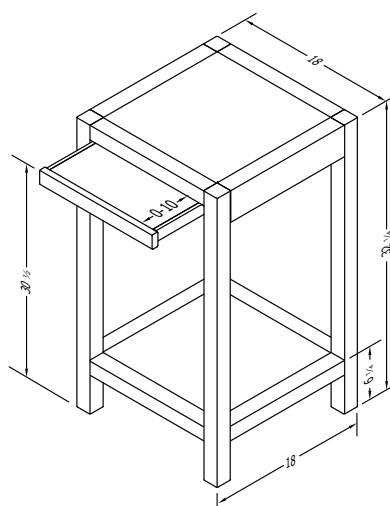
OPTIONS:

- Stain Finishes - see page 27

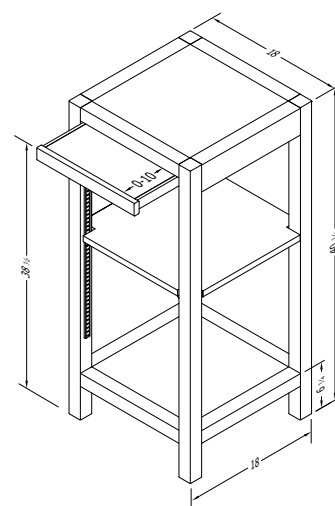
Note: Information and specifications may change due to engineering improvements.



TBFL-001-01B



TBFL-002-01B



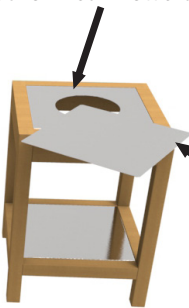
TBFL-003-01B

FSY SERIES FRESH CUT FLORAL TABLES



Galvanized top covering pan insert

Galvanized pan insert with cut out for fresh flowers



Galvanized top

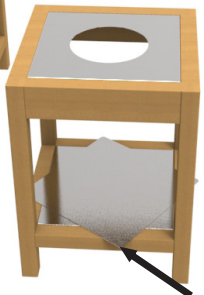
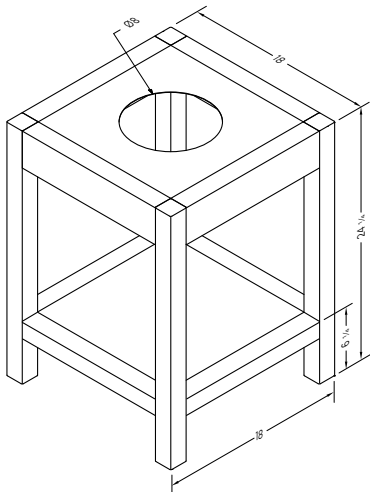
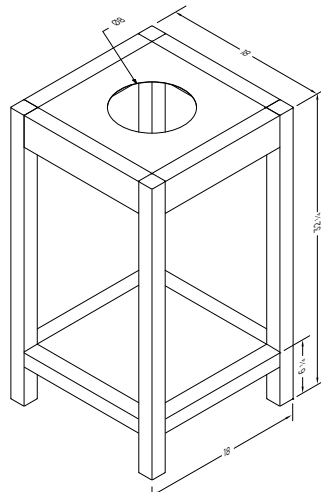


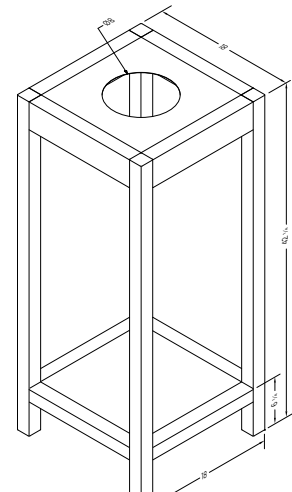
Table shown with galvanized top on bottom shelf



TBFL-004-01B



TBFL-005-01B



TBFL-006-01B

MODEL	DESCRIPTION	LENGTH	DEPTH	HEIGHT
TBFL-004-01B	Fresh Cut Floral Table - Short	18"	18"	24 ¼"
TBFL-005-01B	Fresh Cut Floral Table - Medium	18"	18"	32 ¼"
TBFL-006-01B	Fresh Cut Floral Table - Tall	18"	18"	42 ¼"

FEATURES:

- Birch/maple plywood & solid maple construct with galvanized pan inserts - one pan solid & one pan with cut out for fresh cut flowers
- Removeable galvanized top used to cover hole for fresh cut flowers
- Tack glides

OPTIONS:

- Stain Finishes - see page 27

Note: Information and specifications may change due to engineering improvements.

FSY SERIES FLORAL TABLES



MODEL	DESCRIPTION	LENGTH	DEPTH	HEIGHT
TBFL-004-01C	Floral Table - Short	18"	18"	24 ¼"
TBFL-005-01C	Floral Table - Medium	18"	18"	32 ¼"
TBFL-006-01C	Floral Table - Tall	18"	18"	42 ¼"

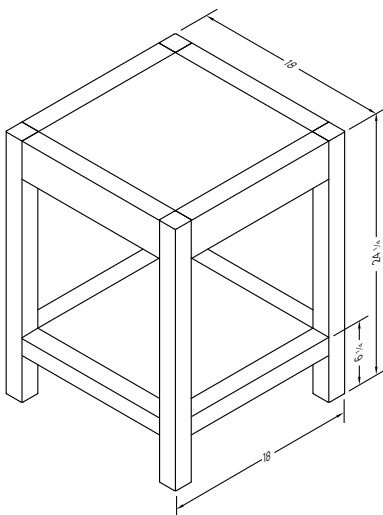
FEATURES:

- Birch/maple plywood & solid maple construct with galvanized pan inserts
- Tack glides

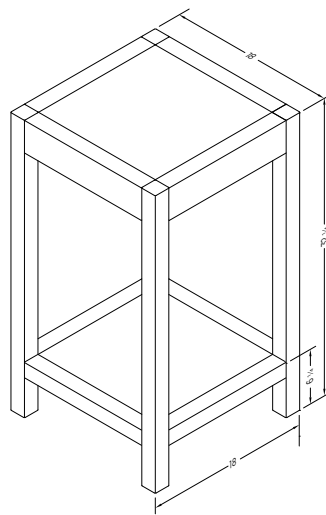
OPTIONS:

- Stain Finishes - see page 27

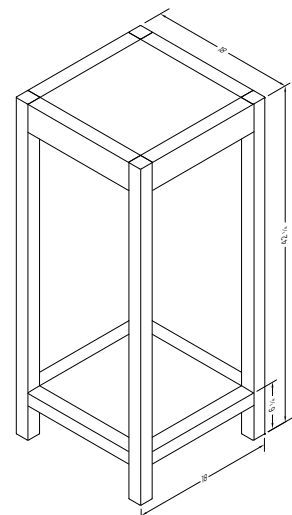
Note: Information and specifications may change due to engineering improvements.



TBFL-004-01C



TBFL-005-01C



TBFL-006-01C