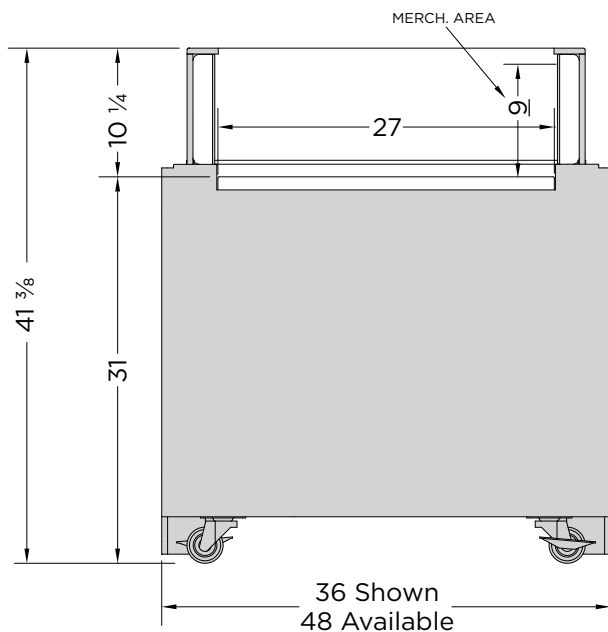


# FRESH GO BIN™ CRITICAL TEMPERATURE SINGLE POD MOBILE MERCHANDISER

 REFRIGERATED

3' x 3' & 4' x 4' SINGLE POD SIZES, CREATE A UNIQUE REFRIGERATED MOBILE DISPLAY



MODEL	DÉCOR PANELS	LENGTH	WIDTH
FGB3-0132-_S	A,B,C,D	36"	36"
FGB4-0132-_S	A,B,C,D	48"	48"

## FEATURES:

- Display fresh juices, cut fruits, yogurts, deli meats, cheeses, bakery etc.
- Designed to maintain critical product temperature at 38-41°F with a unique 9" high merchandising area
- A mobile display with self-contained refrigeration that plugs into a 115v dedicated circuit
- A unique attachment system designed to provide the flexibility to incorporate a collection of standard exterior décor panels (Panel B option shown) or customized panels can be created to match your decor or brand image
- The standard décor panels are constructed of natural wood veneers with a variety of stain colours available
- A wide range of laminates, metals and wood finishes to choose from for a customized look
- Metal protective corners are applied to prevent damage to the décor panels
- Removable black "Ultra-Durable Texture™" powder coated flat base inlays
- Heavy duty casters or adjustable legs
- Fresh Go Bins™ are also available in 2 pod and 4 pod configurations. Specification sheets available

## SUGGESTED APPLICATIONS:

-  Bakery
-  Produce
-  Deli

Note: Information and specifications may change due to engineering improvements.



# FRESH GO Bin™ CRITICAL TEMPERATURE SINGLE POD MOBILE MERCHANDISER

REFRIGERATED

ELECTRICAL SPECS (SELF-CONTAINED)			
MODEL	VOLTS	AMPS	NEMA
FGB3-0132-_S	115	9	5-15P
FGB4-0132-_S	115	11	5-15P

INTERIOR FINISH	
Brushed Stainless Steel Base inlays with textured black shelf standards and shelf supports	
Textured Black	
Textured White	

STANDARD DÉCOR PANELS	
Panel A	
Panel B	
Panel C	
Panel D	
Custom panel option	

EXTERIOR FINISHES	
Black	
White	
Brushed Stainless Steel	
Painted Metal Standard _____	
Custom _____	
Category "A" laminate finish: <b>A</b> -____	
Category "B" laminate finish: <b>B</b> -____	
Other custom laminate specs:	
Oak Veneer Plywood	
- Vertical grain direction	
- Horizontal grain direction	
Birch/Maple Veneer Plywood	
- Vertical grain direction	
- Horizontal grain direction	
Clear Finish applied to Veneer	
Stain Finish Choice _____	
1" black McCue impact bumper strip applied to the front of the display	
Other McCue impact bumper strip colors Available upon request	

### Available Décor Panel Options



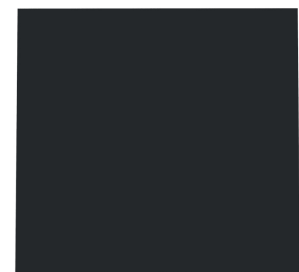
Panel A



Panel B



Panel C



Panel D

### ADDITIONAL FEATURES:

- Designed to maintain product temperature of 38-41°F with a maximum ambient atmosphere of 75°F/55% humidity
- Hot gas condensate evaporation system
- ETL Listed and Sanitation certified to NSF 7
- 2 Year Parts & Labour Warranty